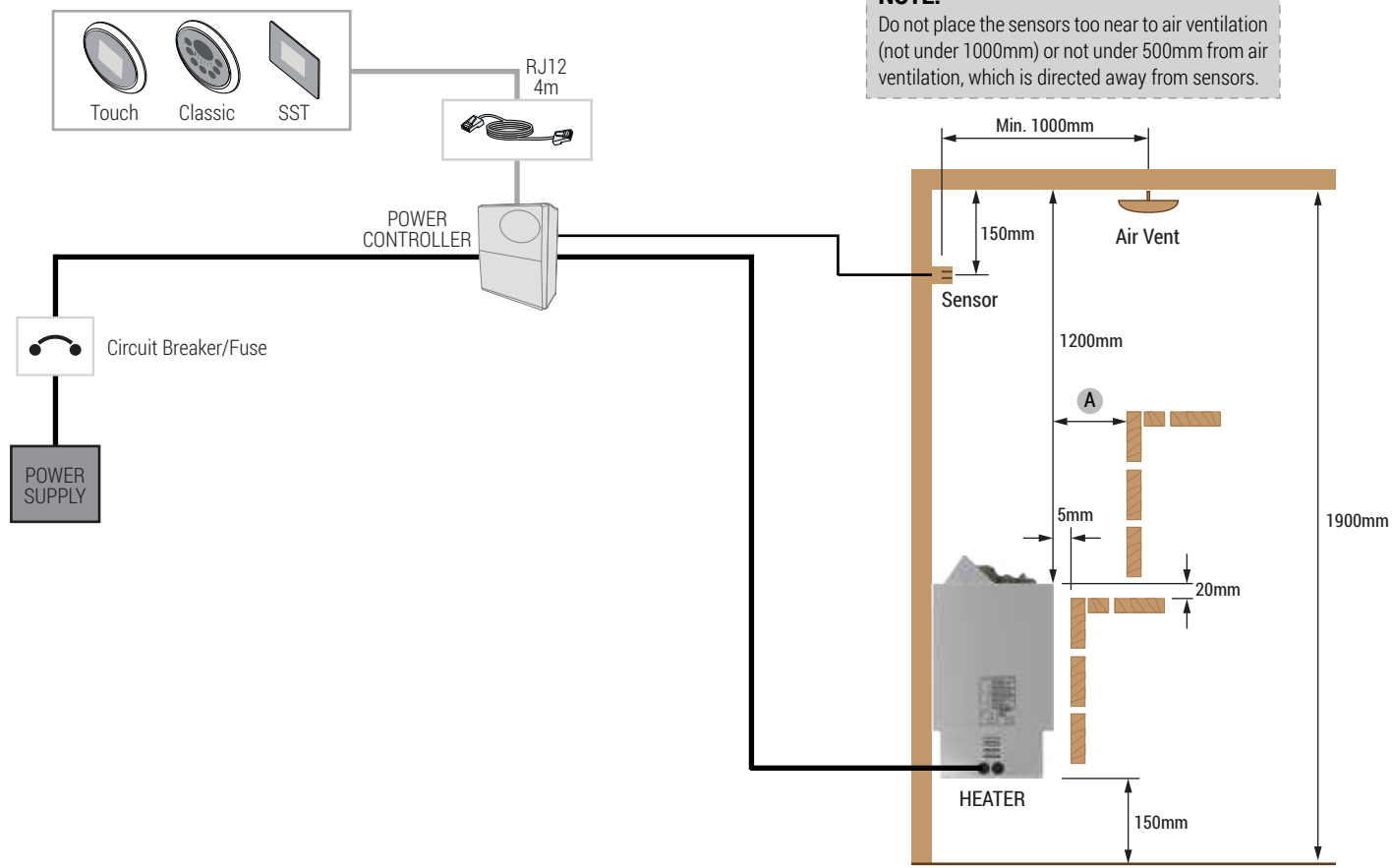


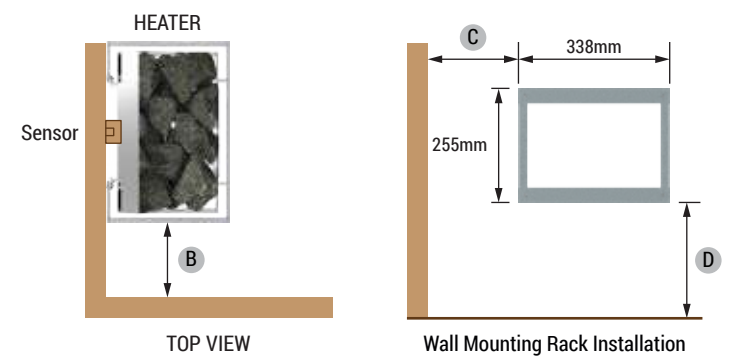
NORDEX HEATER- Installation Diagram for Separate Control (NS)

NOTE!
Do not place the sensors too near to air ventilation (not under 1000mm) or not under 500mm from air ventilation, which is directed away from sensors.



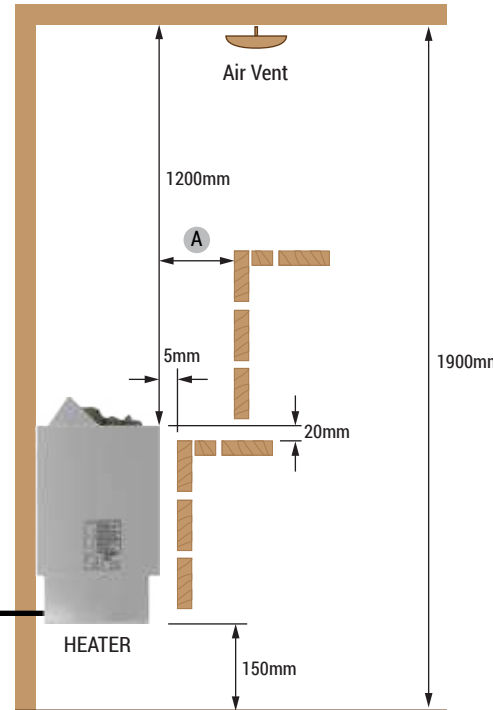
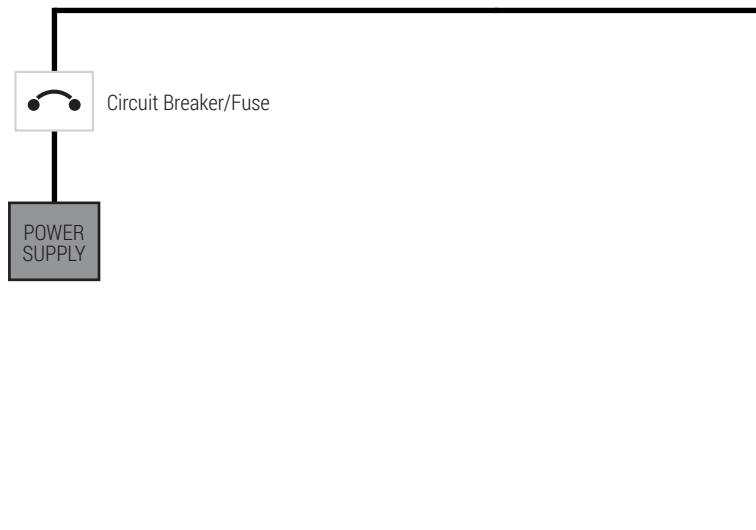
Minimum Safety Distances

Heater Model	A	B	C	D
NRX-45NS	50	50	80	320
NRX-60NS	50	50	80	320
NRX-80NS	80	80	110	395
NRX-90NS	80	80	110	395





NORDEX HEATER- Installation Diagram for Built-in Control (NB)



Minimum Safety Distances

Heater Model	A	B	C	D
NRX-45NB	50	50	80	320
NRX-60NB	50	50	80	320
NRX-80NB	80	80	110	395
NRX-90NB	80	80	110	395

